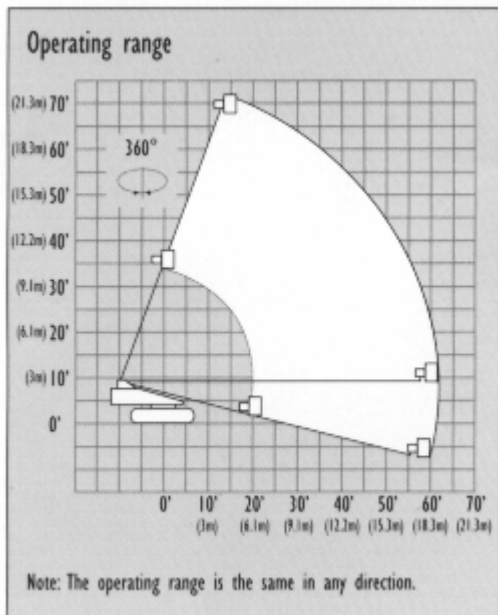
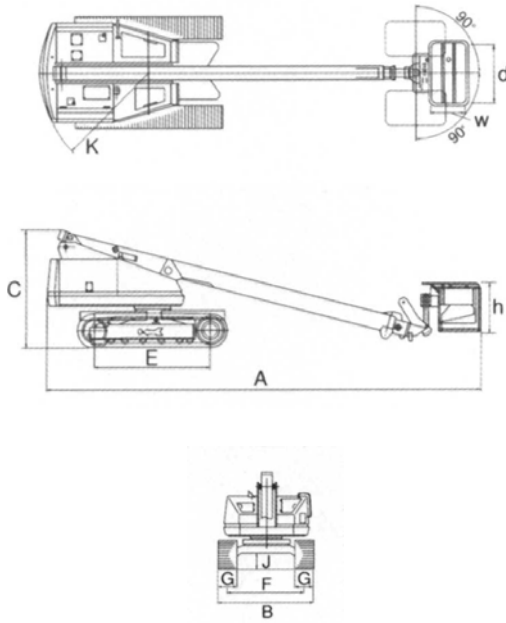


ISR700



Description	Specifications	
Maximum Platform Height	68ft 3in	20.8m
Working Height	74ft 3in	22.6m
Platform Capacity-Unrestricted	440 lbs.	200kg
Platform Size (DxWxH)	72inx30inx43in	1.83x0.75x1.1m
Reach (Centerline of Rotation)	62ft 4in	19m
Gradeability (Stowed)	40%	
Turret Rotation (Slew)	360° Continuous	
Gross Vehicle Weight (approx)	33,950 lbs.	15,400kg
A: Overall Length - Stowed	32ft	9,745mm
B: Overall width	8ft 1in	2,460mm
C: Overall Height - Stowed	8ft 5in	2,570mm
E: Center Distance	8ft 5in	2,575mm
F: Crawler Center Distance	6ft 5in	1,960mm
G: Crawler Shoe Width	19.7in	500mm
J: Ground Clearance	16.7in	425mm
K: Radius of Turret Swing	8ft	2,420mm
Tail Swing (side overhang)	4ft .5in	1,231mm
Electric System	24 VDC	
Engine - Isuzu Diesel - 4BDIT	80HP	59.6kw
Inside Turn Radius	ZERO	0 mm



This brochure is for illustrative purposes only. You must receive authorized training, and read and understand the Operators and Parts/Service manuals for proper procedures before operating equipment.

The work platforms have been tested to comply with the applicable ANSI A92.5 and CSA standards as interpreted by Aichi Corporation.

Price, specifications, models and brochures are subject to change without notice.